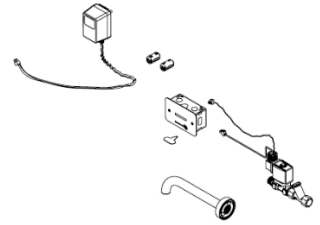


Flowmatic® Concealed Sensor Assembly With SS Face Plate & ClinicLever Fixed Wall Outlet 225

PRODUCT CODE:

- TZ-FLOWTAPC225



SPECIFICATIONS

- Flowmatic® automatic concealed wall assembly is an aesthetically pleasing, single temperature water control unit, which can be used for hand basins & sinks.
- The multiple time cycle option is able to be adjusted on site which provides the facility manager the flexibility of adjusting to suit user requirements.
- Built in capacitors and easy fit electrical filters help suppress external noise and provide a continuous, reliable delivery of water.
- 1.5mm thick stainless steel face plate with hand activation sensor.
- Basin unit comes with stainless steel water hammer resistant 24V AC solenoids
- Flowmatic® Electronic controller is a 24V AC electronic control system allowing the Flowmatic® Automatic Concealed Sensor Assembly to be used in various applications. Controller is pre-programmed and ready to use. The solenoid will open for a specific time once the sensor will detect hands movement. The standard program can be modified to suits individual needs. To modify the operation settings a compatible Android device with Bluetooth is required.

TECHNICAL DATA

Power Supply	Type	Transformer		
	Input	240V - 50Hz 30VA		
	Output	24V - 917mA Max 22VA		
	Cable length	3m		
Solenoid	Input Voltage	24V – 50Hz - 60Hz		
	Power Consumption	8W		
	Cable length	5m		
	Connection	Inlet	½" BSP - Female	
		Outlet	½" BSP - Male	
	Pressure Range (kPa)	Min	50	
		Max	500	
Temperature (°C)	Min	5		
	Max	90		
Sensor	Type	Infra-Red		
	Activation	Hand movement (Wave-on/Wave-off)		
Controller	Input Voltage	24V AC		
	Program type	Flowmatic		
	Connections	Terminal Plug 2 way 3.81mm		

Outlet	Inlet		½" BSP - Female
	Working Pressure Range (kPa)	Min	50
		Max	500
	Working Temperature Range (°C)	Min	5
		Max	90
Finish (user)			Stainless Steel
Nominal Flow Rate (LPM)			5.00

PRE – INSTALLATION

IMPORTANT: 

- **INSTALLATION COMPLIANCE:** Galvin Specialised products must be installed in accordance with these installation instructions and in accordance with AS/NZS 3500, the PCA and your local regulatory requirements. Water and/or electrical supply conditions must also comply to the applicable national and/or state standards. Failing to comply with these provisions shall void the product warranty and may affect the performance of the product (Refer to installation compliance sheet supplied with the product).
- Before proceeding with installation first check the solenoid valve supplied is suitable for the site water pressure and conditions. If your water pressure is outside the stated range, please contact Galvin Specialised.
- Ensure all supply lines are flushed thoroughly to remove debris prior to the installation of this product. A line strainer is supplied to protect the solenoid valve from debris.
- We recommend a stainless steel thermostatic mixing valve is used to provide pre mixed water to the valve and a stainless steel pressure reduction valve may be required to comply with recommended maximum supply pressure.
- Ensure that access to the sensor, solenoid valve and transformer/GPO is available for future maintenance when installing the components. It is recommended that isolating valves be installed upstream to the solenoid valve to allow for servicing. All wiring must be able to be removed when installed into cavities or walls, therefore, it is recommended that a minimum of 25mm conduit be used to house the leads. The unit is supplied with a 3 meter lead on the transformer and a 3 meter lead from the solenoid. Additional lead lengths may be accommodated up to a length of 5m but must be ordered separately.
- Whilst our product designs take into account a broad range of installation types and surfaces, it is important that surfaces which fixtures are mounted to are flat and free from defect. Additionally, ensure any protruding connecting thread is square to the wall so that the outlet sits flat against the wall when installed, ensuring that there are no gaps between the wall and outlet. This is especially important when installing product ranges that have been designed for correctional and health facilities, where special attention is required to minimise ligature points and areas for concealment of contraband. In addition to ensuring the products are fitted securely and in accordance with the following instructions, consideration shall be given to the use of non-pick mastics such as BASF Sonolastic “Ultra” to ensure a high quality and safe installation.
- Most installation problems are due to damage to the unit during installation or the selection of an inappropriate installation location. Select the location carefully and take care with the installation, consider ease of operation for the end user.
- It is advised that the taps should not be positioned directly in front of reflecting surfaces, such as ceramic tiles, stainless steel basins or mirrors. Any bright lighting reflecting off a highly reflective surface such as a stainless steel basin, or a high visibility reflective vest, may interfere with correct sensor operation (Refer sensor settings for operation and adjustment)

GENERAL INSTALLATION REQUIREMENTS

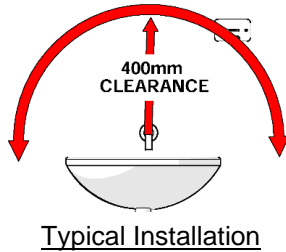
- Do not cut the wires or extend the existing leads without using a correct lead extension from Galvin Specialised, as this will void warranty.
- Suitable access to the service of all components must be provided.
- It is recommended that acoustic dampening products or materials be used in facilities where increased levels of sound protection is required. A water hammer arrestor may also be required.
- The number of valves and simultaneous demand must be considered when sizing pipes. If other fixtures are connected to the supply line, calculations of flow rates and pressures must be undertaken to ensure adequate water supply.
- Limit the number of changes of directions in pipe work. This will result in less friction loss, better valve performance and reduce potential water cavitation noise.
- We recommend fitting stainless steel isolating valves before solenoid for easy servicing.
- Do not apply heat near this product when connecting water lines. Heat generated by soldering could damage plastic or electrical parts and seals. This will void the warranty.

For personal installation assistance and spare parts, please call our head office on 1300 514 074 and speak to our customer service staff.

MOUNTING DETAILS

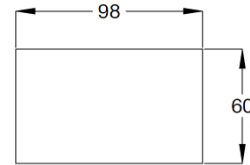
Face plate cut out position

- A position above and to the right of the water outlet is ideal. The best way to select the location is to stand centrally in front of the outlet and extend your right forearm in front of you in a natural arc. Be sure that passing traffic cannot trigger the sensor. Allow at least 400mm clearance.
- Ensure that when selecting a mounting position nothing is within range of the sensor. If the sensor unit is installed into a location where a nearby wall or object is reflecting the Infrared light back, the unit is effectively blinded and will not operate.



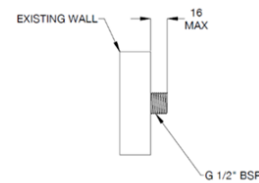
Cut out details for face plate

- The unit is supplied with a Galvanised Inwall electrical box and stainless steel face plate. The assembly should be mounted flush to the wall over a 98mm x 60mm cut-out. Ensure wall depth is between 45mm minimum - 70mm maximum from finished wall surface to the back of box.

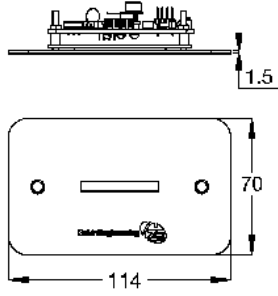


⚠ Do not install sensor under the spout.

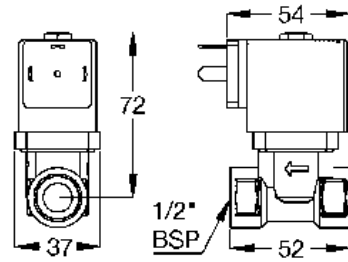
Wall Spud Dimensions for outlet



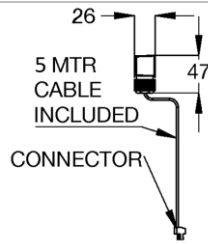
COMPONENT DIMENSIONS



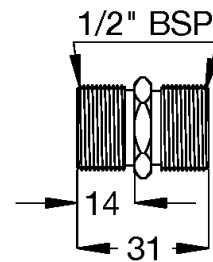
TZ-FLOWSENC24- STAINLESS STEEL FACE PLATE WITH CONCEALED WALL SENSOR ASSEMBLY



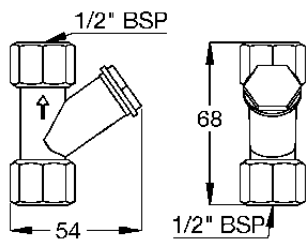
STAINLESS STEEL SOLENOID VALVE



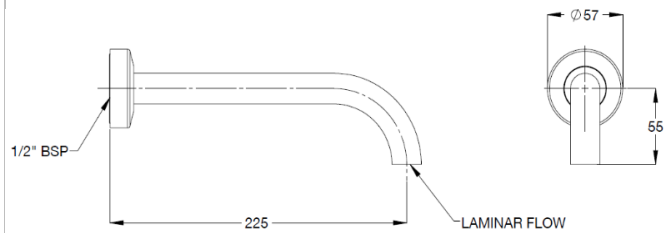
CONNECTOR PLUG ASSEMBLY



BRASS NIPPLE HEX



BRASS LINE STRAINER

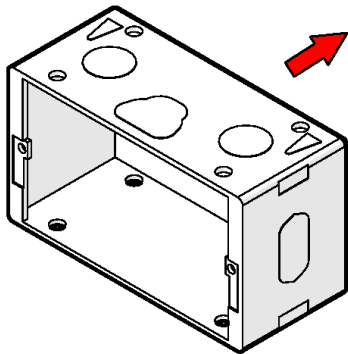


85121 - OUTLET SPOUT

INSTALLATION

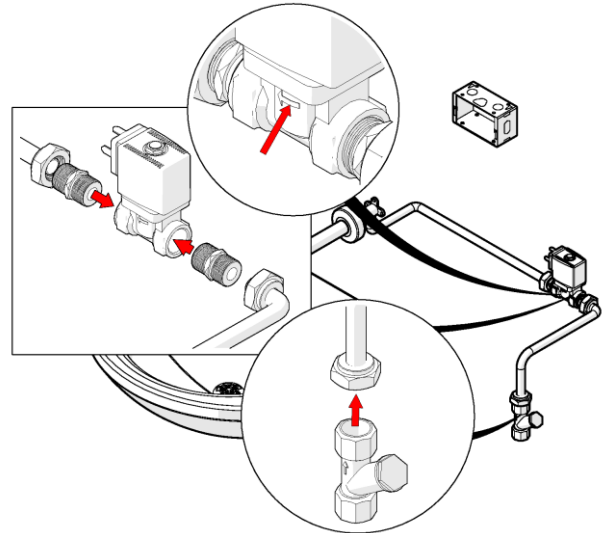
⚠ Avoid common installation errors :

- Non-compliance to Australian Standards.
- Water pressure not tested before installation
- Lines not flushed before installation.
- No access for service.
- Valve not commissioned properly.



1. Mount galvanised electrical box

- Mount supplied galvanised box into the wall 1 or 2mm below the finished wall surface.
- The galvanised box can be fixed to a masonry wall or wall frame using screws suitable for the fixing method. (Fasteners to be supplied by installer).



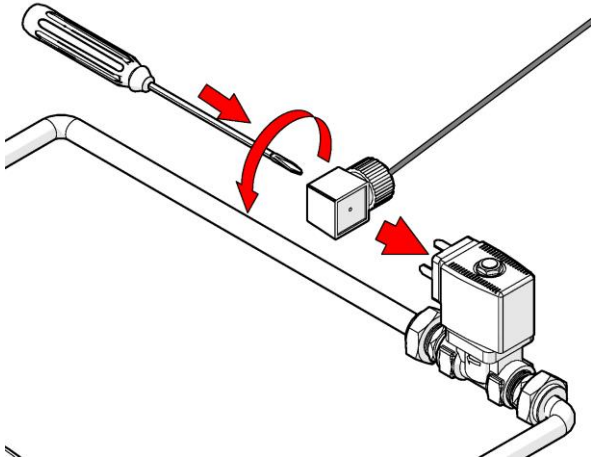
2. Connect solenoid

- Connect solenoid assemblies to the outlet as shown and in accordance with AS/NZS 3500
- Ensure that the solenoid is installed in the correct direction (the arrow on the solenoid body must align with the direction of water flow).
- The TZ-FLOWTAPC225 kit comes standard with a line strainer that must be installed upstream of the solenoid valve. Failure to do so may void the warranty.

⚠ Ensure no thread tape, copper swarf, sand or other debris enters and fouls the solenoid valve.

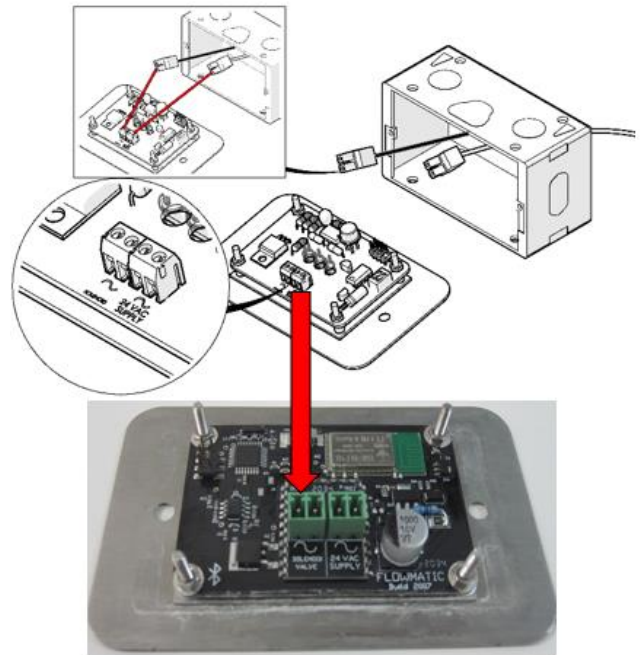
⚠ Make sure the solenoid valve is orientated such that the electrical wiring is not twisted and connectors are easily accessible.

Note: Refer to solenoid operating instructions manual for installation and service maintenance.



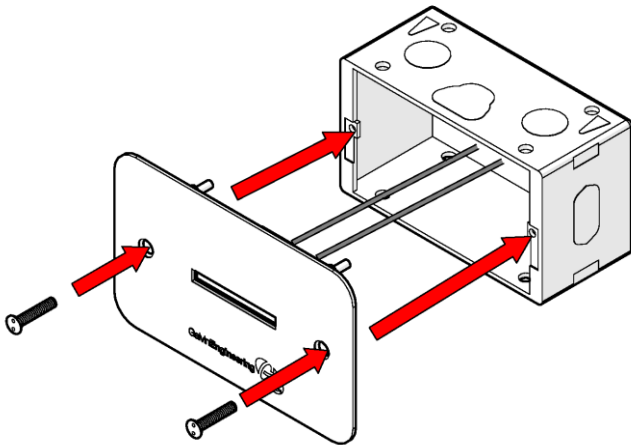
3. Fit Connector plug assembly

- Fit connector plug assembly to solenoid assembly as shown.



4. Connect to sensor plug

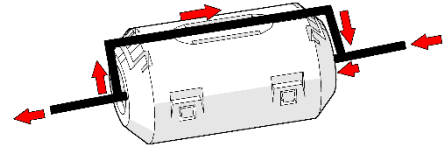
- **We recommend that all cabling is fed through 25mm conduit to make servicing and replacement easier.**
- Connect the solenoid and transformer plugs to the rear of the Sensor, observing the correct plug connection.
- **If extension leads are required, please contact Galvin Specialised.**
- ⚠ **Do not cut the leads. If the leads are too long, it is recommended that any excess is coiled up and clipped to the wall.**



5. Mount face plate

- We recommended that all cabling is fed through 25mm conduit to make servicing and replacment easier.
- Apply a thin bead of silicon on the edge of the wall cut out.
- Fit the face plate to the In-wall box with supplied screws, use supplied snake eye key.
- **If extension leads are required, please contact Galvin Specialised.**

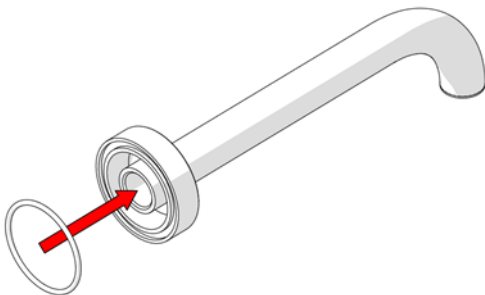
! Do not force the faceplate to fit onto wall or attempt to disassemble components, as this could result in damage to sensor.



6. Secure wiring with suppressor

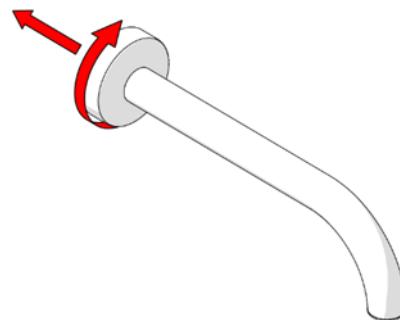
- Connect the supplied electrical interference suppressor to each cable (1x Transformer, 1x Solenoid Lead) as shown and ensure they are as close to the sensor face as possible

! All electrical components should be protected from contact with water or excessive heat and installed in accordance with local regulations.



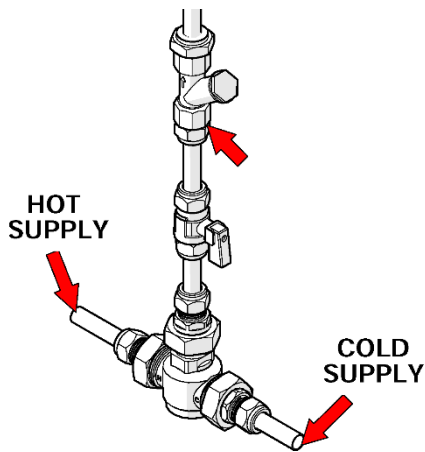
7. Fit Outlet Spout

- Before fitting the spout, ensure the o ring is in place.



8. Fit Spout

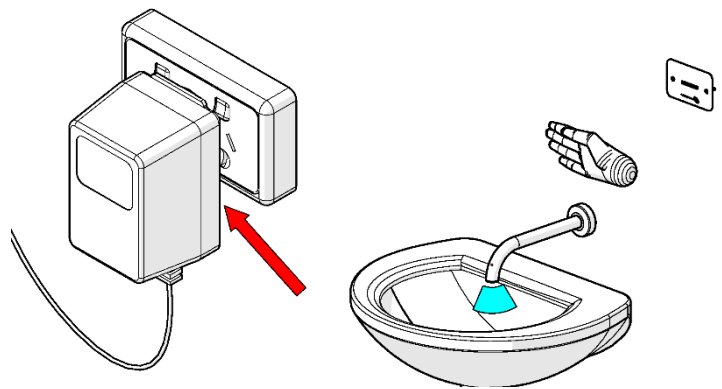
- Screw spout clockwise onto wall spud as shown.
- Ensure thread tape is used.



7. Connect water

- Connect the water supply to the strainers and turn on water supply. Check for leaks.
- Adaptors supplied by the installer must be in accordance with AS/NZS 3500.

Note: The water supply is provided via normal plumbing practices, either cold or pre-mixed warm, using 2 cistern taps, plumbed to the outlet spout, however it is recommended that a stainless steel Thermostatic Mixing Valve or Tempering Valve be installed (depending on site requirements).



Typical Installation

8. Connect power supply & Check for correct operation

- The 24V AC transformer is plugged into a standard mains power point (GPO).
- Turn on the power point and test the unit.
- Wave the back of your hand through the beam to turn the water on and again to turn the water off.
- The sensor will require adjustment. Please ensure that the sensor is in a position that reflects the actual installation. It is recommended that sensitivity is set to low and incrementally work towards an anti-clockwise motion, until the correct sensitivity is reached (Refer Operation and Adjustment).

Note: The sensor is factory set to medium and will need to be adjusted to suit individual installations.



All electrical components should be protected from contact with water or excessive heat and installed in accordance with local regulations.

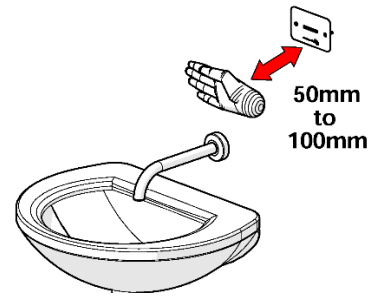


The connection of this product to mains power supply should be undertaken by a competent person and should confirm to local Wiring Regulation – AS3000 Wiring rules.

Operation and Adjustment

Operation and Adjustment

- The TZ-FLOWTAPC225 is activated by passing your hand in front of the sensor face within a distance of 50mm –100mm.
- The water will continue to flow until either your hand passes in front of the sensor again or the chosen time frame has passed.

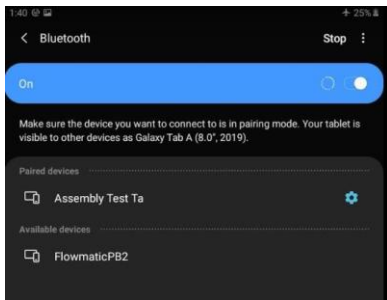
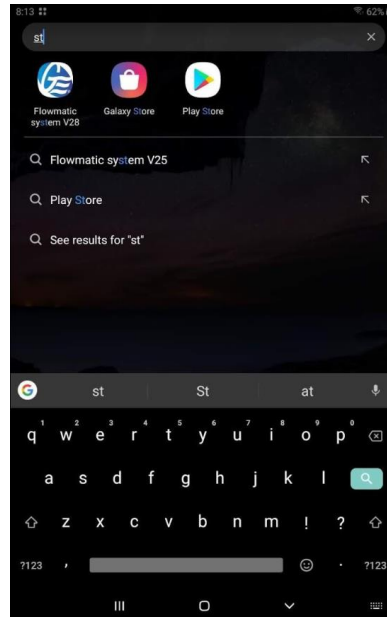


CONTROLL MODULE PROGRAM MODIFICATION

Required to make changes to the controller settings :

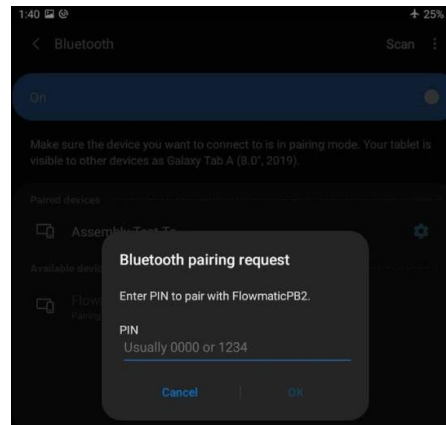


- Android device (e.g. smartphone, tablet).
- Installed from PlayStore 'Flowmatic system' software. Locate and download 'Flowmatic Syatem' software.



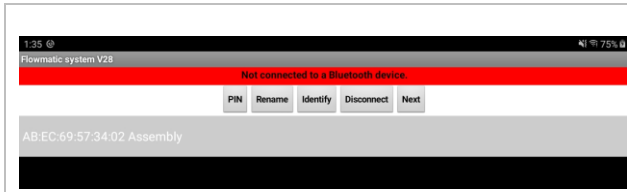
1. Establish Bluetooth connection

- Go to the Bluetooth settings on your device then scan for devices. Generally, when scanning the first thing to come up in available devices will be a Mac address that looks like this example (AB:EC:69:57:34:02). This will eventually change to the name of the device (This can be changed to a custom name in the app).
- Select this device.



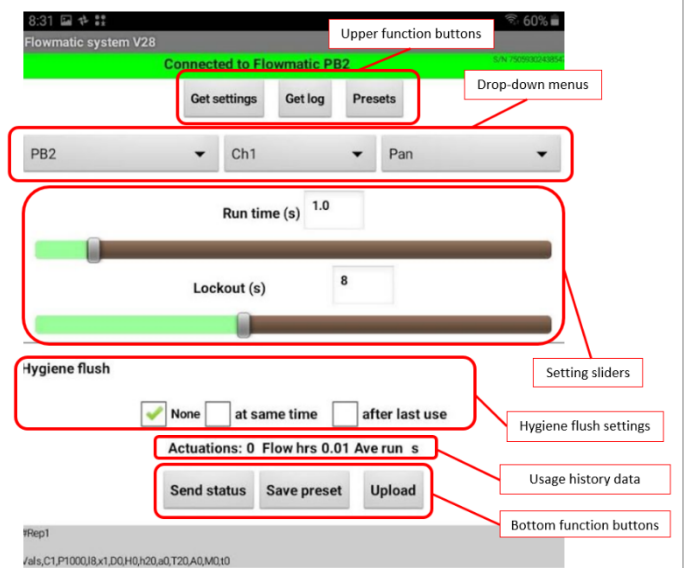
2. Entering the pin

- The device will ask for a pin, which from factory is '1234'. Enter this in. (This pin can be changed later in the app.). Your device is now connected to the controller, and is ready to be adjusted from the 'Flowmatic system' app.



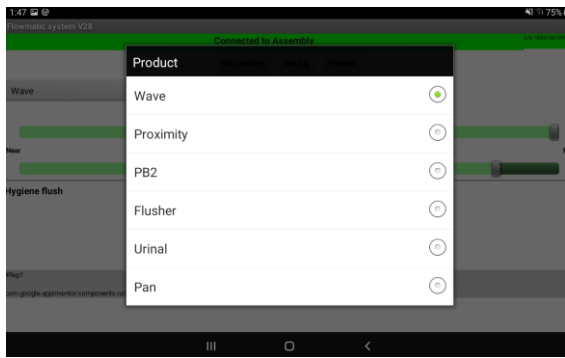
3. Changing controllers settings

- Open the 'Flowmatic system' app. The device will appear on the screen. with Mac Address first and then controller name e.g. 'AB:EC:69:57:34:02 Flowmatic'.
- Select the Flowmatic, this will then update the controllers time clock, and then open the setting screen by pressing 'Next'.



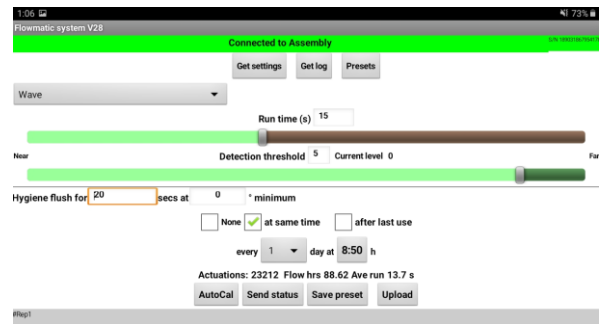
4. Setting screen overview.

- **Upper function buttons.** By pressing the 'Get settings' button the currently stored parameters in the controller's internal memory will be downloaded to the app. The 'Get log' button will pop up the log data screen. The 'Presets' button will list all saved presets.
- **Drop-Down menus.** First menu from left is to select the type of controller the app is connected to. The second menu is to select which 'channel' is going to have parameters changed (only for PB2). The third menu is to declare what is the controlled feature designed for (only for PB2).
- **Setting sliders.** Depending on the selected controlled feature there will appear one, two or three setting sliders.
- **Hygiene flush setting** menu allows to set the time and intervals of hygiene flush.
- **Bottom function buttons** are to be used to manage the controller internal memory.



5. Type of controller (left drop-down menu)

- For the TZ-FLOWTAPC24 controller the 'Wave' or 'Proximity' selection may be used depending on the application. Please **do not** change the selection to the , 'Urinal', 'Pan' 'PB2' or 'Flusher'.



6. 'Wave', 'Proximity' setting screens contains the same setting parameters.

- Run time (s) slider – to set the required flow time.
- 'Detection threshold' slider – to set sensing range. By setting smaller value the detection distance is farther. Bigger value is making the detection distance shorter.

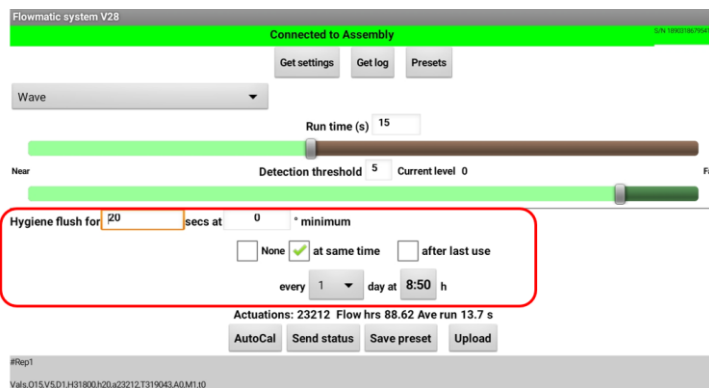
7. Choosing the suitable mode

- 'Wave' mode:

- If a hand is detected, the water will start and keep flowing until the time set in the 'Run time' section will pass or another 'wave' will appear in front of the sensor.

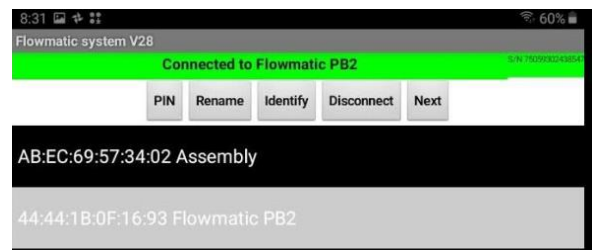
- 'Proximity' mode:

- If a hand is detected, the water turns on for as long as the hand is there, up to a certain timeout value set in the 'Run time' section.



8. Settings 'Hygiene flush'.

- Set the required time for Hygiene flush and press 'Upload'.



9. Connection menu.


- By pressing the back arrow, the connection screen will pop up. The buttons allow to rename the controller, set new PIN, disconnect, or go to setting screen 'Next'.

MAINTENANCE INSTRUCTIONS**Solenoid Valve:** (Supplied with own instructions booklet)

- Turn the water supply off and activate the push button to drain as much water from the installation as possible, and then turn the power off at the GPO.
- Depending on the location of the solenoid valve it may be more convenient to remove the solenoid valve completely from the installation to service it.
- The solenoid may be disassembled and checked for debris and cleaned to avoid potential damage to the diaphragm. Please take note of the location of the components and reassemble in the correct order, as there is a spring in the housing that may inadvertently spring out.
- Service or replace the solenoid and re-install into the line. Push the power plug from the sensor back onto the solenoid.
- It is recommended that the line strainer be serviced and cleaned at this stage to ensure that dirt and grit isn't restricting the flow.
- Ensure the bypass tap on the valve is in the closed position.
- Turn power on and test tap.

Sensor: **The Electronic Sensor is a non-serviceable product. If damaged the sensor must be replaced.**

- Turn power off at GPO.
- Unscrew the two fixing screws. The silicon seal may have to be cut with care to free the sensor.
- Unplug the solenoid plug and transformer plug from the rear of the sensor. Generally, if the sensor has been damaged by an electrical surge, it is recommended that the transformer be replaced at the same time.
- Replace the sensor and reconnect the new sensor. Plug the solenoid and transformer plugs back onto the rear of the sensor. Fix the sensor panel back onto the galvanised inwall box with the existing screws.

 **Important: Seal the stainless steel face panel and screws using silicon, ensuring it has a water tight seal.****Transformer:** **The Transformer is a non-serviceable product. If damaged the transformer must be replaced.**

- Turn power off at GPO and unplug the transformer.
- The transformer comes standard with 3 metres of cable. The cable is connected to the rear of the sensor.
- Determine if cable access is difficult or if the cable is fed through a conduit. If the cable is in a conduit then a lead or leads may be required to be tied to the existing cable before it is removed so the new cable can be pulled back through.
- Remove the transformer and cable.
- With the new Transformer in place feed the cable back to the sensor and plug in the appropriate plug connector.
- Plug the transformer into the GPO point.
- Turn on the power to the unit and test. Wave the back of your hand through the beam to turn the water on and again to turn the water off.

Note: Before attempting to replace any of these items check that you have access to re-run the connection leads. If you do not have access or you have any doubts please contact Galvin Specialised for advice before commencing replacement.

TROUBLE SHOOTING		
PROBLEM	CAUSE	RECTIFICATION
Sensor Not Responding	Damaged or scratched lens	Replace Sensor Unit
	Beam Length too short	Adjust beam to recommended setting
	Sensor lead damaged	Replace sensor lead
	No Power	Check power is reaching transformer
	Waving Hand too fast past the sensor	Slow down the action in front of the sensor
	Transformer faulty	Replace transformer
False Activation	Beam length too long	Adjust beam length to recommended setting
	Electrical interference	Ensure electrical suppressors are installed correctly
	Reflection from a light source	Re-align sensor or shield light source
No water flow	Sensor not responding	Check fault relating to sensor
	No power	Check power is reaching transformer
	Power supply leads joined incorrectly	Replace electronic components
	Faulty solenoid valve	Check electrical connections, Replace solenoid valve
	Water or structural damage to electrical components	Replace damaged electrical components
	Incorrect connections	Check all connections
	Damage to sensor lead or power supply lead	Check and replace lead & controllers
	Pressure exceeding 500kPa	Reduce pressure to solenoid to 350 kPa
	Water corroded electrical connections	Replace electronic components
Continuous water flow	Solenoid valve jammed open	Remove obstruction from solenoid valve
	Solenoid installed incorrectly	Reinstall valve correctly

WARRANTY

The warranty set forth herein is given expressly and is the only warranty given by the Galvin Engineering Pty Ltd. With respect to the product, Galvin Engineering Pty Ltd makes no other warranties, express or implied. Galvin Engineering Pty. Ltd. hereby specifically disclaims all other warranties, express or implied, including but not limited to the implied warranties of merchantability and fitness for a particular purpose.

Galvin Engineering Pty Ltd products are covered under our manufacturer’s warranty available for download from www.galvinengineering.com.au Galvin Engineering Pty Ltd expressly warrants that the product is free from operational defects in workmanship and materials for the warranty period as shown on the schedule in the manufacturer’s warranty. During the warranty period, Galvin Engineering will replace or repair any defective products manufactured by Galvin Engineering without charge, so long as the terms of the Manufacturer’s warranty are complied with.

The remedy described in the first paragraph of this warranty shall constitute the sole and exclusive remedy for breach of warranty, and Galvin Engineering Pty Ltd shall not be responsible for any incidental, special or consequential damages, including without limitation, lost profits or the cost of repairing or replacing other property which is damaged if this product does not work properly, other costs resulting from labour charges, delays, vandalism, negligence, fouling caused by foreign material, damage from adverse water conditions, chemical, electrical or any other circumstances over which Galvin Engineering has no control. This warranty shall be invalidated by any abuse, misuse, misapplication, improper installation or improper maintenance or alteration of the product.